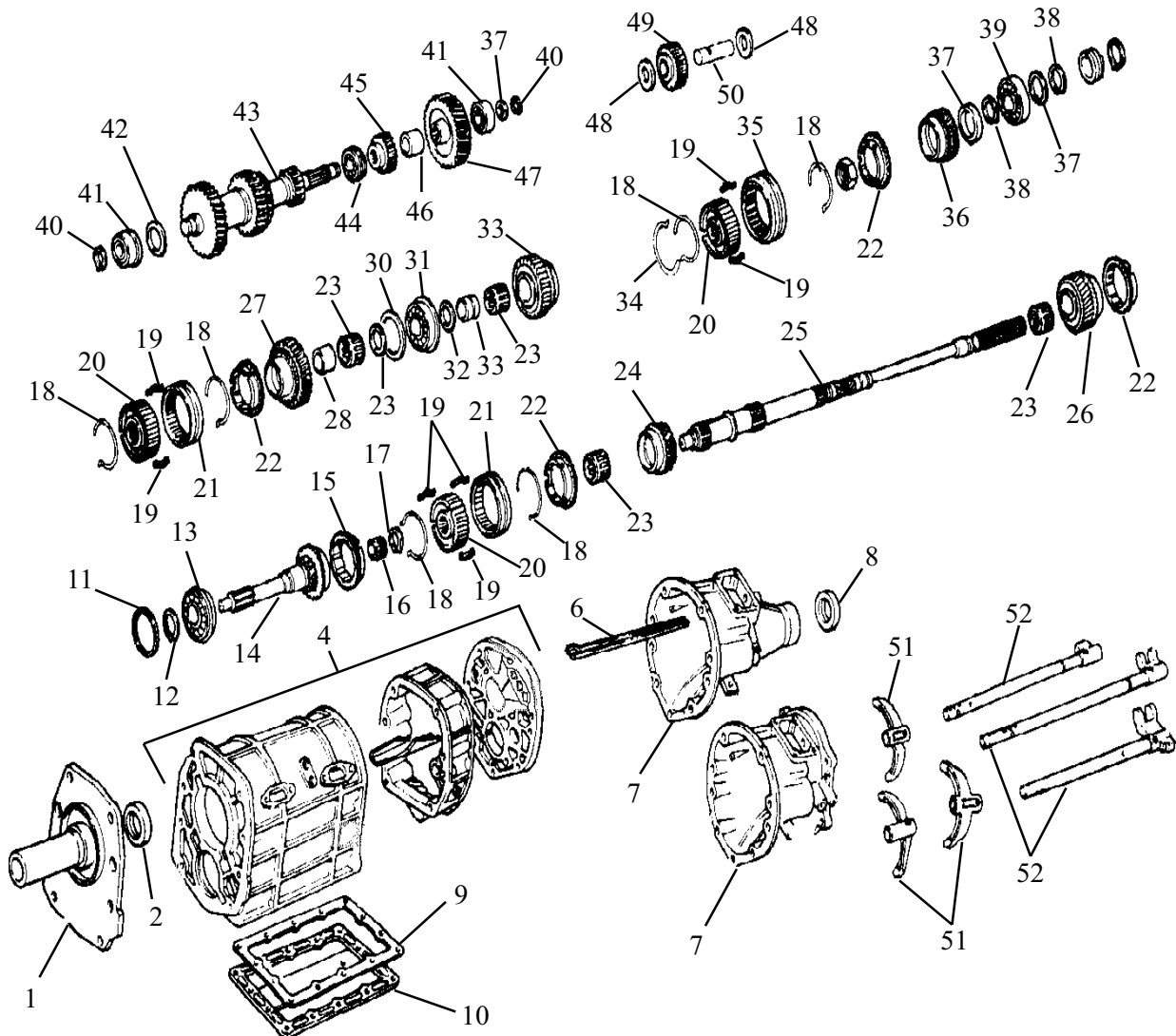


Toyo Kogyo 1983-87

Aerostar, Bronco II, Ranger



Part#	Index	Description	Notes
E3TZ7050A	1	Front Bearing Retainer	1983-84
E5TZ7050B	1	Front Bearing Retainer	1985-87
D27Z7052A	2	Main Drive Seal	All
NPN	3	Bearing Retainer Sealer	
E3TZ7005D	4	Transmission Case	1983, 1984 4 Cyl, 6Cyl 4x4 ID#E37A-JE
E7TZ7005A	4	Transmission Case	1984 6Cyl 4x2, 4x4 ID#E47A-LA 1985 4x4 ID#EDE574-PA, 1986-87
E69Z7005A	4	Transmission Case	1985 4X2, 4X4 ID#E57A-PA
NPN	5	Case to Extension Sealer	All (Clear)
E3TZ7A174B	6	Oil Passage Trough	1983-87
E3TZ7A039P	7	Extension Housing	1983 4x2, 1984 4x2 4 Cylinder
E3TZ7A039M	7	Extension Housing	1983 4x4, 1984 4x4
E3TZ7A039K	7	Extension Housing	1984 4X2 6 Cylinder
E69Z7A039A	7	Extension Housing	1985-87 4x2
E6TZ7A039A	7	Extension Housing	1985-87 4x4
E3TZ7052C	8	Extension Housing Oil Seal	1983-84
E5TZ7052B	8	Extension Housing Oil Seal	1985-87
D67Z7166A	9	Oil Pan Gasket	Bottom
D67Z7166B	9	Oil Pan Gasket	Side
D77Z7165A	10	Oil Pan	Bottom
D77Z7165B	10	Oil Pan	Side
D27Z4109A	11	Spacer (selective)	0.1 mm thick
D67Z7030B	12	Snap Ring	1983-86
E7TZ7030A	12	Snap Ring	1987
E69Z7025A	13	Front Bearing	1983-87
E3TZ7017A	14	Main Drive Gear	1983, 1984 4Cyl, 6Cyl 4x4 ID#E37A-JE, 1985
E3TZ7017E	14	Main Drive Gear	1984 6Cyl 4x2, 4x4 ID#E47A-LA
E69Z7017A	14	Main Drive Gear	1986 Exc ID#E67A-NA, PA, 1987 All
E6TZ7017C	14	Main Drive Gear	1986 ID#E67A-NA, PA
D67Z7107B	15	Synchro Blocking Ring	1983-87
D67Z7120A	16	Needle Bearing	1983-87
D27Z7064A	17	Snap Ring	1983-87
D67Z7109A	18	Synchro Spring	All
D27Z7A044B	19	Synchro Key	1983-85, 1986-87 5th & Reverse
E69Z7A044A	19	Synchro Key	1986-87 1st, 2nd, 3rd, 4th
D67Z7124B	20	1st & 2nd Synchro Gear	1983-85
E7TZ7124A	20	1st & 2nd Synchro Gear	1986-87
D87Z7124A	20	3rd & 4th Synchro Gear	1983-85
E69Z7124A	20	3rd & 4th Synchro Gear	1986-87
D67Z7124C	20	5th & Reverse Synchro Gear	1983-87
D67Z7183A	21	Synchro Hub	1983-84
E5TZ7183A	21	Synchro Hub	1985
E69Z7183A	21	Synchro Hub	1986-87
E69Z7107A	22	Synchro Blocking Ring	1983-87
D67Z7121A	23	Needle Bearing	All
E69Z7101A	24	3rd Speed Gear	1983-87
E7TZ7061A	25	Mainshaft	1983-85 4x2, 1986 4x2, 1987 4x2
E6TZ7061D	25	Mainshaft	1983-85 4x4, 1986 4x4 ID#E67A-CA, CB, CC
E6TZ7061G	25	Mainshaft	1986 4x4 ID#E67A-PA, 1987 4x4
E3TZ7102B	26	2nd Speed Gear	1983-85
E69Z7102A	26	2nd Speed Gear	1986-87
E7TZ7100A	27	1st Speed Gear	1983-85
E69Z7100B	27	1st Speed Gear	1986-87

Part#	Index	Description	Notes
D67Z7173A	28	Mainshaft Sleeve	1983-87
D67Z7062A	29	Thrust Washer (selective)	2.5mm thick
D67Z7029E	30	Spacer (selective)	0.1 mm thick
D67Z7118A	31	Mainshaft Center Bearing	1983-85
E69Z7118A	31	Mainshaft Center Bearing	1986-87
D67Z7072A	32	Spacer	1983-87
D67Z7141A	33	Reverse Gear	1983-87
D67Z7059A	34	Retaining Ring	All
D67Z7187A	35	5th & Reverse Sleeve	1983-84
E5TZ7187A	35	5th & Reverse Sleeve	1985-87
E6TZ7158A	36	Overdrive Gear	1983-85
E69Z7158A	36	Overdrive Gear	1986
E69Z7158B	36	Overdrive Gear	1987
D77Z7119A	37	Thrust Washer (selective)	2.00 mm thick
E3TZ7030B	38	Retaining Ring	All
E3TZ7065A	39	Mainshaft Bearing	1983-87
D67Z7030A	40	Retaining Ring	1983-87
D2TZ7025B	41	Front Countershaft Bearing	1983-85
E7TZ7025D	41	Front Countershaft Bearing	1986-87
D67Z7025B	41	Rear Countershaft Bearing	1983-85
E69Z7025C	41	Rear Countershaft Bearing	1986-87
D67Z7030A	42	Spacer	Front
D2TZ7030B	42	Spacer	Rear
E3TZ7113F	43	Counter Cluster Gear	1983-85
E7TZ7113A	43	Counter Cluster Gear	1986-87
D67Z7121B	44	Countershaft Gear Bearing	1983-87
E7TZ7142B	45	Countershaft Reverse Gear	1983-87
EOTZ7115B	46	Spacer	All
E3TZ7144A	47	Countershaft Overdrive Gear	All
D67Z7030C	48	Retaining Ring	All
D67Z7141A	49	Reverse Idler Gear	
D67Z7140A	50	Reverse Idler Shaft	1983-87
E3TZ7230A	51	1st & 2nd Shifting Fork	1983-84, 1985 4x2
E5TZ7230F	51	1st & 2nd Shifting Fork	1985 4x4
E69Z7230A	51	1st & 2nd Shifting Fork	1986
E7TZ7230A	51	1st & 2nd Shifting Fork	1987
E3TZ7230B	51	3rd & 4th Shifting Fork	1983-84, 1985 4x2
E5TZ7230G	51	3rd & 4th Shifting Fork	1985 4x4
E69Z7230C	51	3rd & 4th Shifting Fork	1986 and 1987
E3TZ7230D	51	5th & Reverse Shifting Fork	1983-84, 1985 4x2 ID#E37A-AEB,JE & EDE47A-EA
E3TZ7230E	51	5th & Reverse Shifting Fork	1985 4x2 ID#E47A-EB,EC,FA,JA
E5TZ7230E	51	5th & Reverse Shifting Fork	1985 4x4, 1986 and 1987
E3TZ7240D	52	1st & 2nd Shifting Shaft & Lever	1983-84, 1985 4x2
E5TZ7240E	52	1st & 2nd Shifting Shaft & Lever	1985 4x4
E69Z7240A	52	1st & 2nd Shifting Shaft & Lever	1986-87
E3TZ7241C	52	3rd & 4th Shifting Shaft & Lever	1983-84, 1985 4x2
E5TZ7241E	52	3rd & 4th Shifting Shaft & Lever	1985 4x4
E69Z7241B	52	3rd & 4th Shifting Shaft & Lever	1986-87
E3TZ7242C	52	5th & Reverse Shifting Shaft & Lever	1983-84
E3TZ7242F	52	5th & Reverse Shifting Shaft & Lever	1985 4x2
E5TZ7242D	52	5th & Reverse Shifting Shaft & Lever	1985 4x4, 1986 and 1987
T12F	NI	Bearing & Seal Kit	All 83-87