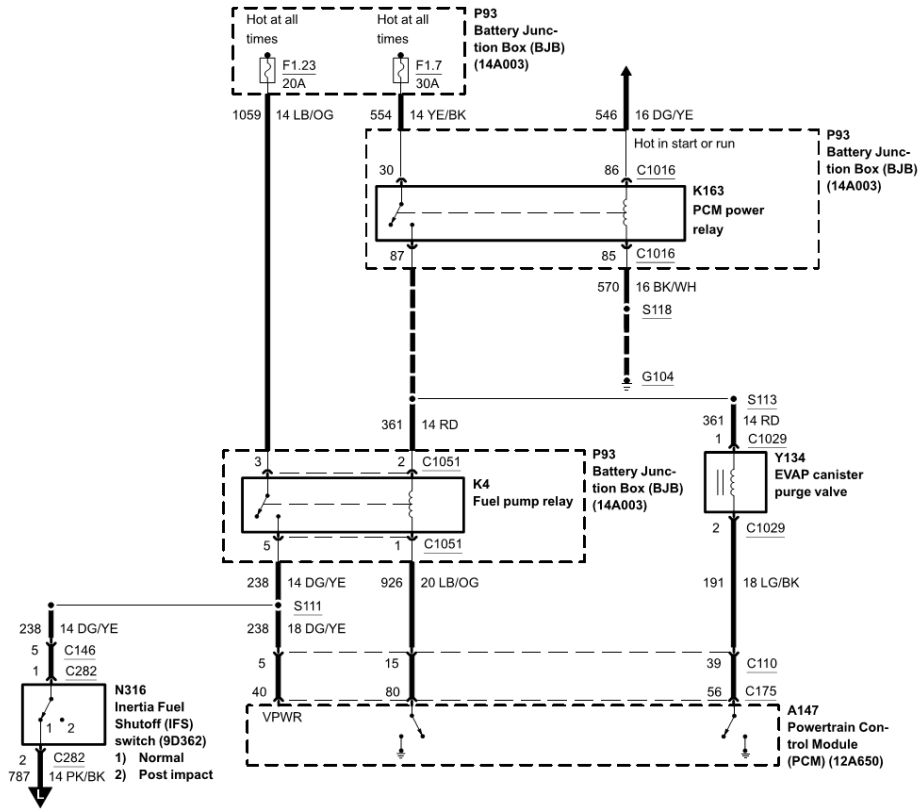


# Engine Controls

4.0L



Ranger '02