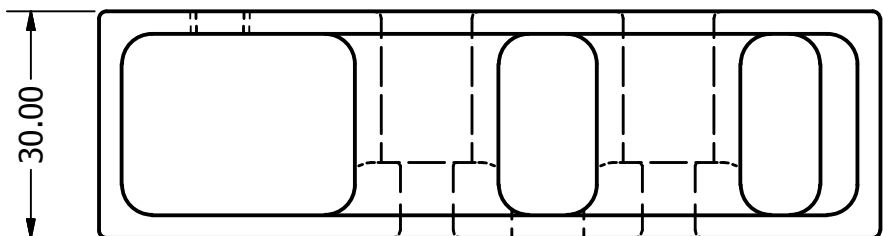
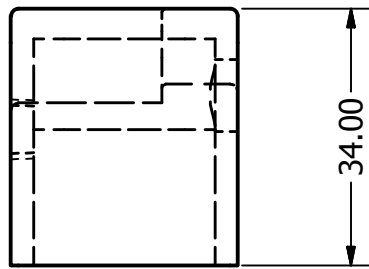
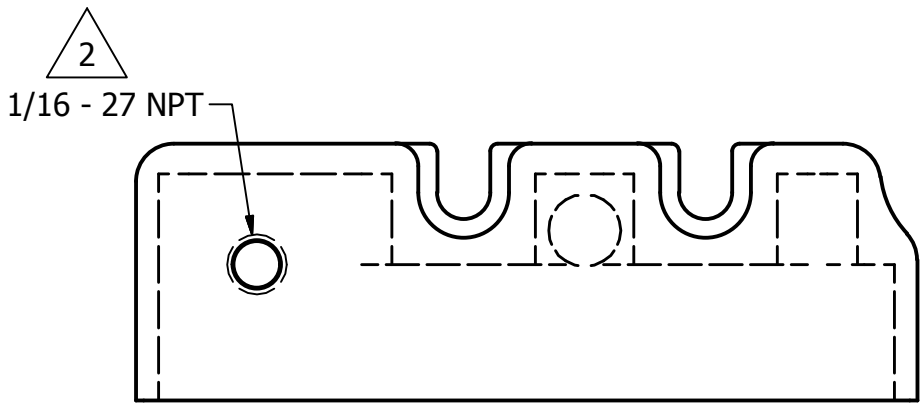
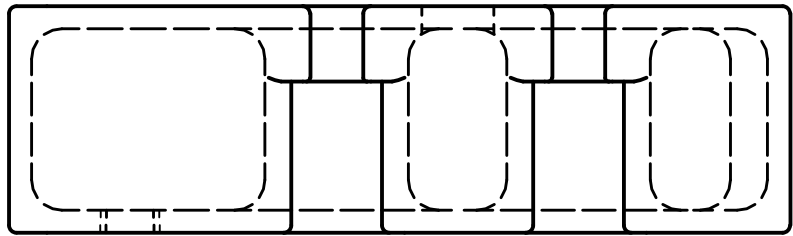
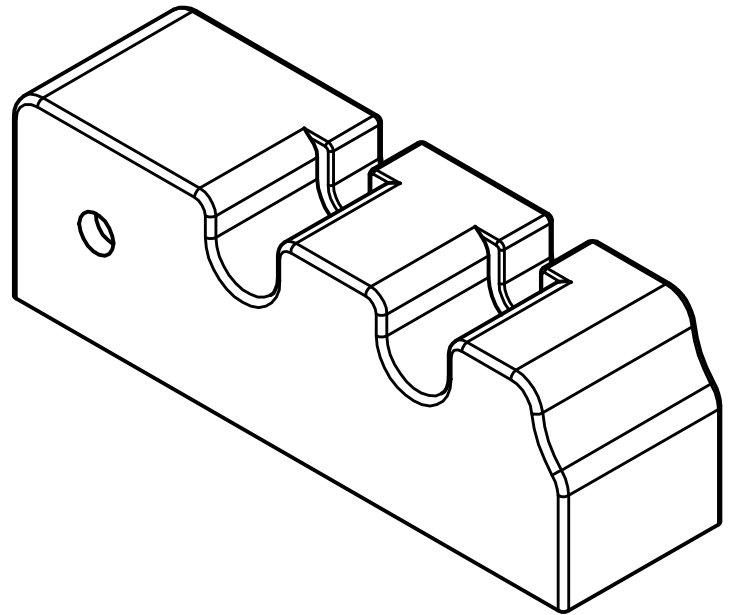
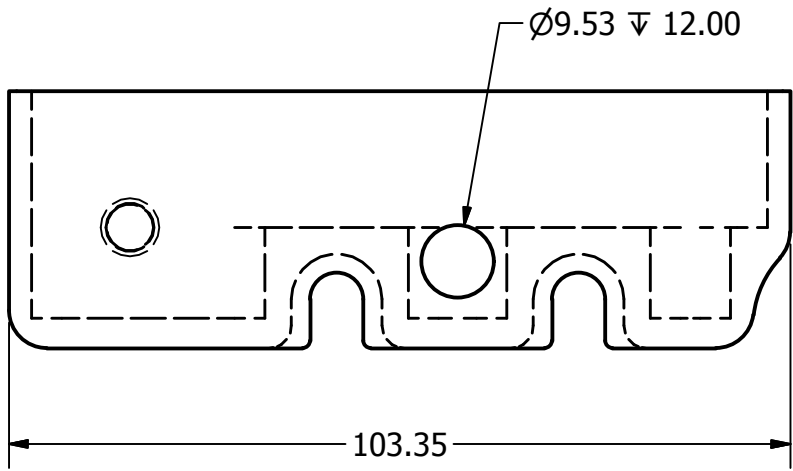


2

1

REVISION HISTORY				
ZONE	REV	DESCRIPTION	DATE	APPROVED
	2	AIR BLEED	08/4/2014	ABH



NOTES:

- UNITS ARE IN METRIC MILLIMETERS
- TOLERANCES ARE +/- 0.25mm FOR HOLES AND INSIDE FEATURES
- ALL OTHER TOLERANCES ARE TO BE +/- 0.5mm
- FINISH TO BE RAW

DRAWN ABH	08/02/2014	TITLE PT23 HeaderINT2		
CHECKED ABH	08/04/2014			
QA		SIZE TABLOID		
MFG				
APPROVED		DWG NO PT15HeaderINT		REV 2
MATERIAL AL6061		SCALE 1:1	SHEET 1 OF 1	

2

1