

YMMS: 1994 Ford Explorer
Engine: 4.0L Eng
VIN:

Jun 23, 2021
License:
Odometer:

STARTING/CHARGING

Fig 1: Charging Circuit

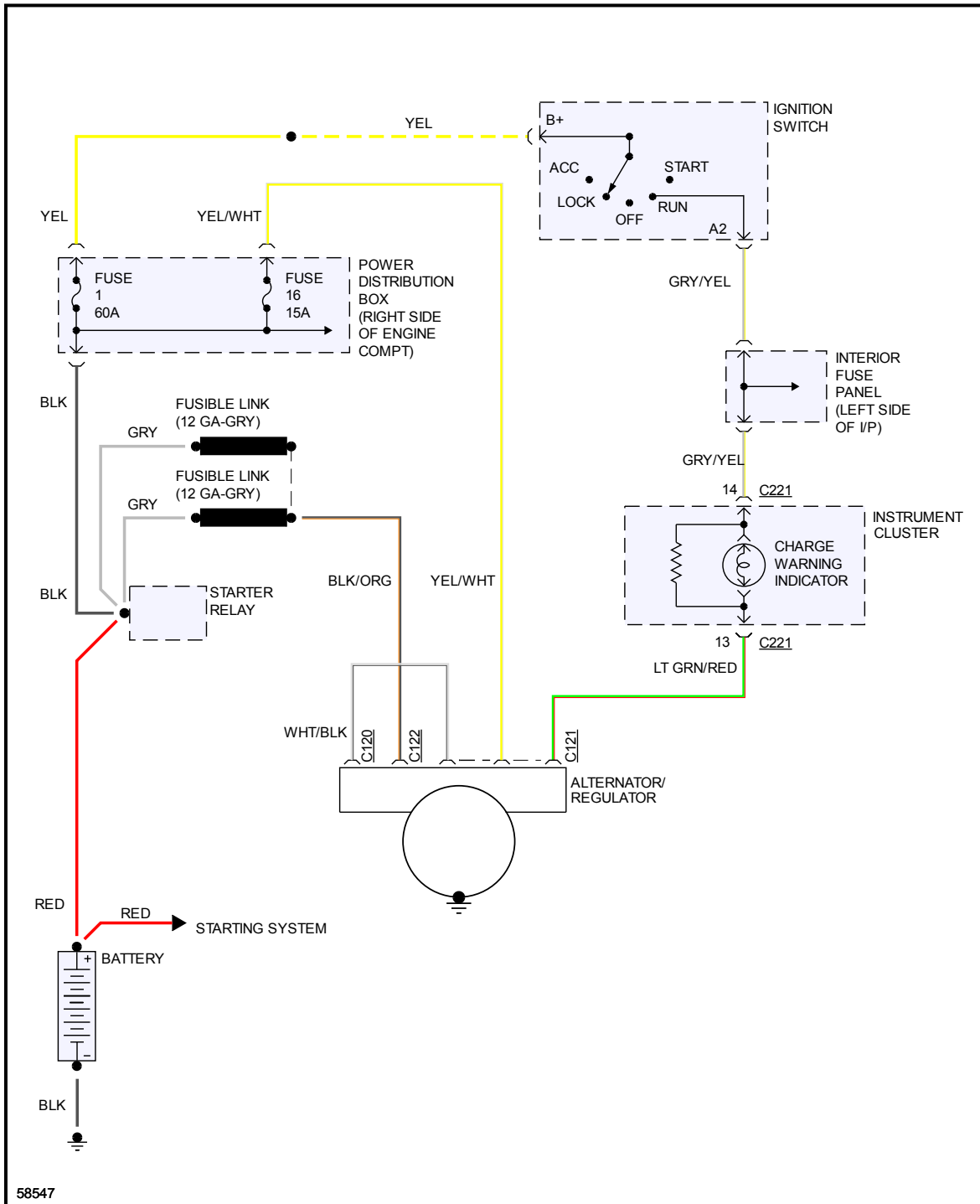


Fig 2: Starting Circuit

